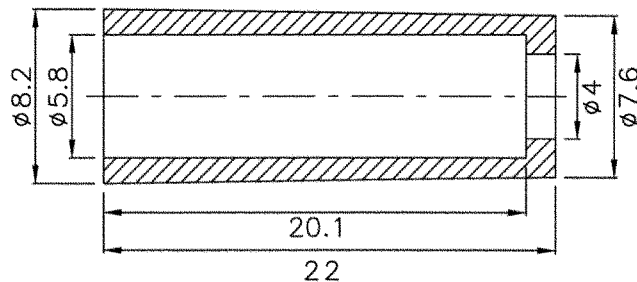
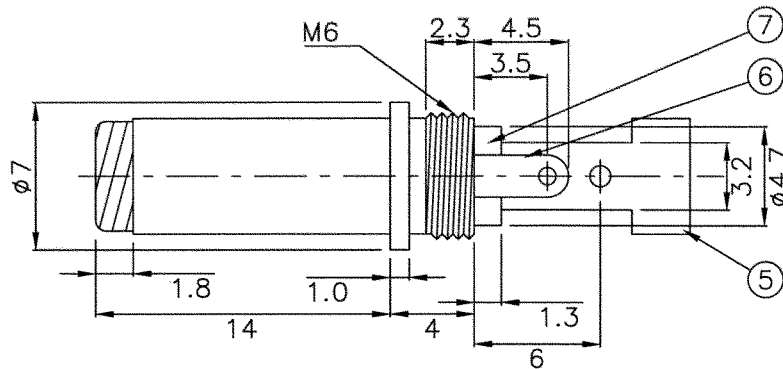


No	DESCRIPTION	MATERIAL	FINISH
1.	HOUSING	BAKELITE	BLACK
2.	INSULATOR RING	POM	BLACK
3.	INNER BARREL	BRASS	NICKEL PLATED
4.	OUTER SLEEVE	BRASS	NICKEL PLATED
5.	GROUND TERMINAL	BRASS 0.3T	NICKEL PLATED
6.	TERMINAL	BRASS 0.2T	NICKEL PLATED
7.	INSULATOR	POM	BLUE COLOR

TOLERANCE: $\pm 0.3\text{MM}$ UNLESS OTHERWISE SPECIFIED



9615 SW Allen, Suite 103
 Beaverton, OR 97005
 Phone: (503) 643-4899
 800-275-4899
 Fax: (503) 643-6129
 Website: www.cui.com

TITLE: DC PLUG		
PART NO. PP-002A	UNITS: MM [INCHES]	
DRAWN BY: Todd R. White	APPROVED BY:	SCALE: 3X

PC FILE NAME:
PP_002A.DWG

COPYRIGHT 1997 BY CUI INC.